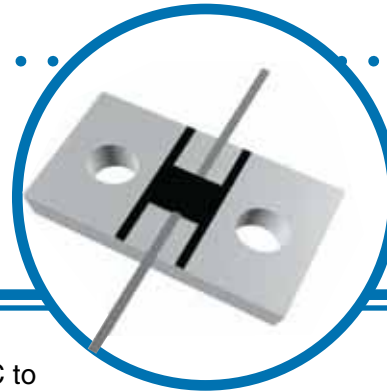


High Power Flanged Attenuators



PAT-P Series

- Power dissipation to 10W
- High frequency operation to 10GHz
- Flanged Package for heat sink mounting

The PAT-P series power attenuator has a very low VSWR from DC to 10 GHz. High frequency performance combined with high power dissipation make this an ideal RF power attenuator. Typical applications are power meters and amplifiers where a reduction in power is needed while maintaining transmission line characteristic impedances.

Electrical Data

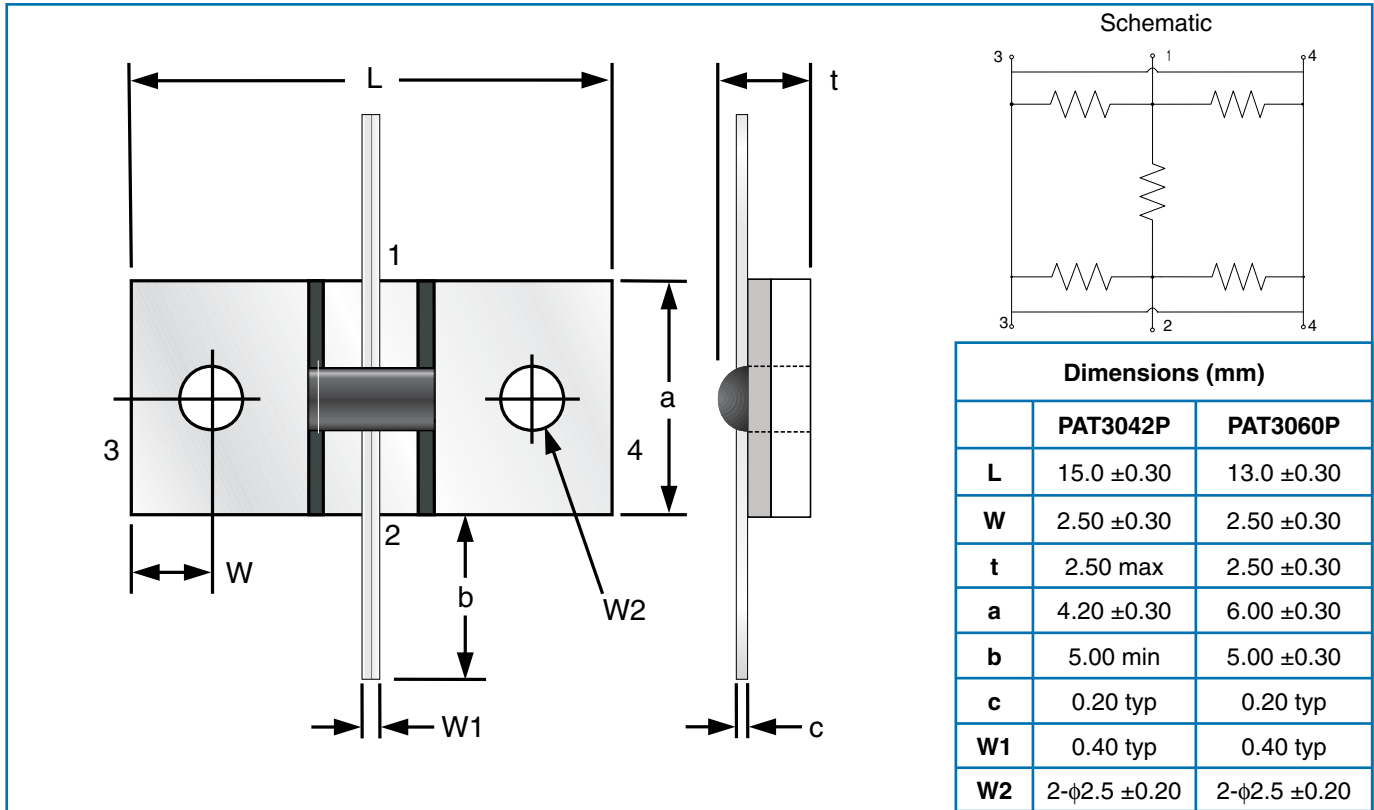
Impedance	50	
Frequency Range	DC - 10GHz	
Operating Temperature Range	-55°C to +125°C	
Thermal Impedence	5°C/W	
Attenuation (dB)	1, 2, 3, 4, 5, 6, 7, 8, 9, 10, 16, 20	
Attenuation Tolerance	DC to 2GHz	±0.2 dB
	2GHz to 5GHz	±0.3 dB
	5GHz to 10GHz	±0.5 dB
VSWR	DC to 2GHz	1.1
	2GHz to 5GHz	1.2
	5GHz to 10GHz	1.3
Power Rating @70°C	PAT3042P	1W (Max. 5W Heatsinked)
	PAT3060P	1.5W (Max. 10W Heatsinked)
Terminations	90/10 Sn/Pb or 100% Sn	

General Note

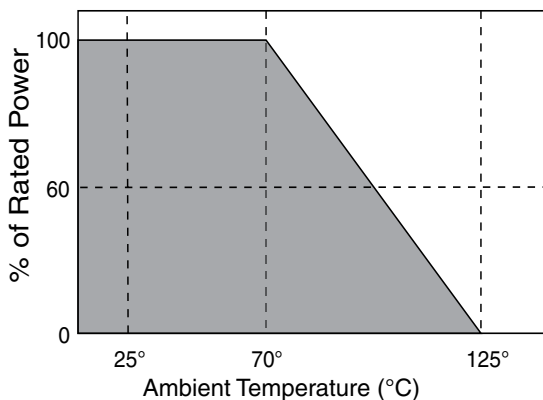
IRC reserves the right to make changes in product specification without notice or liability. All information is subject to IRC's own data and is considered accurate at time of going to print.

High Power Flanged Attenuators

Physical Data



Power Derating Curve



Ordering Data

Prefix HFR - PAT3042P - 50R0 - 03

Model

PAT3042P = Surface Mount Attenuator with 90/10 Sn/Pb terminations
 PAT3042PLF = Surface Mount Attenuator with 100% Sn Terminations
 PAT3060P = Surface Mount Attenuator with 90/10 terminations
 PAT3060PLF = Surface Mount Attenuator with 100% Sn Terminations

Impedance

50R0 = 50Ω

Attenuation

00, 01, 02, 03, 04, 05, 06, 07, 08, 09, 10, 16, 20dB